

<h1>Technical Bulletin</h1>	Model 911 C2 Tiptronic	Group 3
Subject: ATF Front Oil Cooler Line (Service Action 092)	Part Identifier 3862	Number 9204

ATTENTION: Service Manager/Service Technician

This is to notify you of a Service Action involving the front lower cowl attaching screws. It has been determined that the front lower panel attaching screws may puncture the ATF line if the vehicle is driven over a concrete parking block or similar object. If the ATF line is punctured, the ATF fluid leaks out and the transmission will be damaged internally.

This Service Action involves Tiptronic transmissions equipped vehicles only. It is not possible to determine from the VIN if the vehicle is equipped with a Tiptronic transmission. Therefore, only those VIN's with Tiptronic transmission (M 249) apply to this Service Action.

The following are the applicable VIN ranges:

Model 1990: WP0AB2 96 _LS 45 1385 to WP0AB2 96 _LS 45 2104
 WP0BB2 96 _LS 46 0331 to WP0BB2 96 _LS 46 0722
 WP0CB2 96 _LS 47 0394 to WP0CB2 96 _LS 47 2148

Model 1991: WP0AB2 96 _MS 41 0073 to WP0AB2 96 _MS 41 1606
 WP0BB2 96 _MS 44 0069 to WP0BB2 96 _MS 44 0745
 WP0CB2 96 _MS 46 0061 to WP0CB2 96 _MS 46 2200

Model 1992: WP0AB2 96 _NS 42 0113 to WP0AB2 96 _NS 42 0699
 WP0BB2 96 _NS 44 0089 to WP0BB2 96 _NS 44 0207
 WP0CB2 96 _NS 46 0064 to WP0CB2 96 _NS 46 0923

Customer Notification

Porsche Cars N.A., Inc. will notify all known owners directly by first class mail during the week of June 15, 1992, as per attached notification card.

For those vehicles in dealer inventory, or for those for which we do not have sales information, the notification will be addressed to the dealer. If the vehicle is in dealer inventory, the service action involving the replacement of the sheet metal screws in the front cowl should be performed without delay.

If the vehicle has been retailed or dealer traded, the dealer is to make the necessary arrangements to have the customer or receiving dealer contacted and the service action performed.

Work Procedure

See attachment.

Parts Requirement

Parts required to perform this Service Action will be supplied free of charge to your dealership during the week of June 8, 1992.

Quantity	Part Number	Description
4	N 013 966 17	Screw



Technical Bulletin

Model
911 C2
Tiptronic

Group
3

Subject: ATF Front Oil Cooler Line
(Service Action 092)

Part Identifier
3862

Number
9204

Time Allowance

20 TU

Administrative Procedure

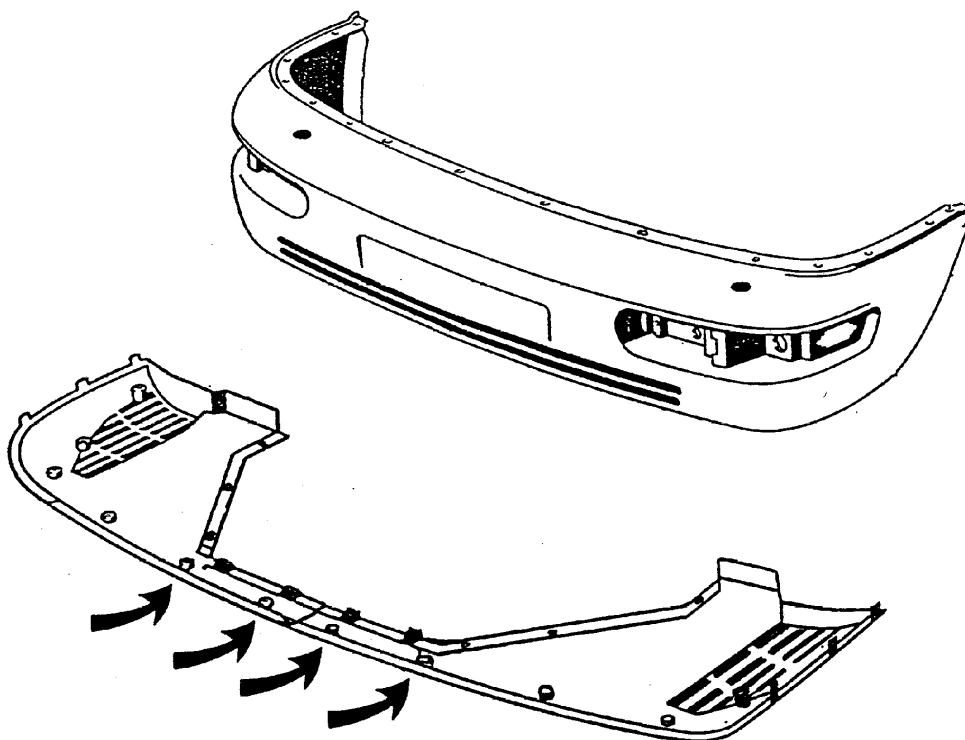
See attachment.

P
O
R
S
C
H
E
C
A
R
S
N
O
R
T
H
A
M
E
R
I
C
A
I
N
C
.



WORK PROCEDURE
Service Action 092

1. Raise vehicle on a hoist.
2. Remove the four front lower panel sheet metal screws as indicated in the illustration below.
3. Install new screws, Part Number N 013 966 17, which are 13mm long.
4. As identification for the completion of this Service Action, put a red paint dot on the four new screw heads.
5. Lower vehicle.



(COPY OF LETTER TO CUSTOMERS)

Dear Porsche Owner:

Our records indicate that you are the owner of a Porsche Carrera 2 Tiptronic. Porsche AG has determined that one of the front lower panel sheet metal screws may puncture an Automatic Transmission (ATF) cooling line if the vehicle is driven over a concrete parking block or similar object. If the ATF line is punctured, the ATF fluid leaks out and the transmission will be damaged internally.

To prevent this damage, a shorter sheet metal screw must be installed. Please contact your Porsche dealer for an appointment as soon as possible to have the necessary work performed at our cost. Replacement parts should be available at your Porsche dealer.

The estimated time to perform the necessary work is approximately 30 minutes.

If your Porsche dealer fails, or is unable to perform this work without charge to you within a reasonable amount of time, you may call or write to:

Porsche Cars North America, Inc.
100 West Liberty Street
P.O. Box 30911
Reno, NV 89520-3911
Attn: Owner Relations
Telephone: 1-800-545-8039

We sincerely regret any inconvenience this action may cause, nevertheless, we are confident that you understand our interest in you as our valued Porsche customer.

Sincerely,

Porsche Cars North America, Inc.